

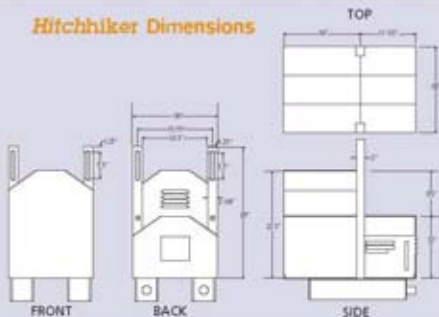
# Hitchhiker Technical Specifications

## Hitchhiker Specifications

**Category** 5000 Watt Diesel Generator  
**Model** Hitchhiker 5000S  
**Generator Type** Revolving Field 2 Pole Brushless Generator  
**Max Power** 5,000 Watt  
**Rated Power** 4,500 Watt  
**Engine Speed** 3,600 RPM  
**Voltage** 120 Volt Supply  
**DC Output** 12V/25 amp  
**Phase Connection** Single Phase  
**Engine Type** Direct Injection Vertical, Single Cylinder, Air Cooled  
**Displacement** 406 cc / 24.78 cu. in.  
**Brake Power** 10 HP  
**Starting System** Electric  
**Governor System** Centrifugal Weight System  
**Fuel** Diesel  
**Lube Oil Capacity** 2.0 Liter  
**Oil Lube System** Klean-Oil Model 816  
**Protection System** Low Oil, Loose Warning System/ Stop Device  
**Noise Level at 7m @ 72"**  
**Overall Dimensions** 18"W x 27"H x 27"L  
**Dry Weight** 285 lbs



## Hitchhiker Dimensions



**IDLE KLEEN**

**Hitchhiker**

The Hitchhiker by Idle-Kleen

Now you can keep your vehicles comfortable and the environment clean while saving money. Call 519-568-7712 today or visit our web site at [www.idle-kleen.com](http://www.idle-kleen.com) for more information.

# Air Conditioning & Heating System

## EHC Inside Evaporator Unit

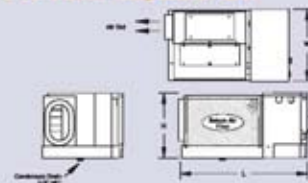
- Compact unit
- Quiet, powerful squirrel-cage blower
- Rotary compressor inside sound shield
- Built-in electric heat strip
- Digital thermostat control
- Stainless steel drain pan for corrosion resistance
- Pre-wired, plug and play waterproof electrical connections



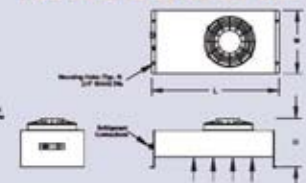
## ACC Outside Condenser Unit

- Rugged 304 stainless steel enclosure
- Designed for corrosion and vibration resistance
- 24VDC cooling fan

## EHC Inside Evaporator Unit



## ACC Outside Condenser Unit



Model Number	Cooling Capacity (BTU/HR)	Heating <sup>1</sup> (KW)	Height <sup>2</sup> (in)	Width <sup>2</sup> (in)	Length <sup>2</sup> (in)	Weight <sup>2</sup> (lbs)	Full Load Amperage <sup>3</sup> Cooling (amps)	Full Load Amperage <sup>3</sup> Heating (amps)	Refrigerant
EMCEX10	10,000	2.0	11.63	11.12	20.19	62.0	11.8	17.7	R-417A
ACCD10			9.37	12.25	24.63	25.0			
EMCEX14	14,000	2.5	11.69	13.00	22.00	65.0	14.5	21.8	R-417A
ACCD14			11.00	12.25	24.63	26.0			

NOTE: The system is rated to provide full capacity at 95°F (35°C) outside temperature. Actual performance will be affected by factors such as ambient temperature and humidity. Maximize direct sunlight and reflect heat. 1) Only heating capacities available by special request. 2) Does not include detachable electrical box. 3) Power consumption at 120V AC.

Our auxiliary remote truck air conditioning systems are designed to cool or heat the cab and sleeper without running the truck's diesel engine, saving fuel and preserving the environment. The systems run on 115VAC electricity, which is supplied by the Hitchhiker unit or a shorepower connection. Models are available in 10,000 BTU/hr and 14,000 BTU/hr sizes, with 1.5, 2.0 or 2.5 kW of electric heating capacity (other heating capacities available on special request).

The system consists of separate inside (evaporator) and outside (condenser) sections connected by flexible refrigerant lines. Designed for the harsh trucking environment, the units are vibration and corrosion resistant, and are backed by more than 40 years of mobile air conditioning experience. A digital thermostat controls the system and is ordered separately. Government-approved environmentally friendly R-417A refrigerant (RFC) is used.

Electrical box can be optionally mounted up to 2.5 ft. away from inside unit. Box dimensions are 10.3" H x 9" W x 5" D. Appropriate weight is 16 lbs.

**IDLE KLEEN**

75 Ardelt Place, Kitchener, ON  
N2C 2C8  
[www.idle-kleen.com](http://www.idle-kleen.com)  
519-568-7712